

Taylorleds



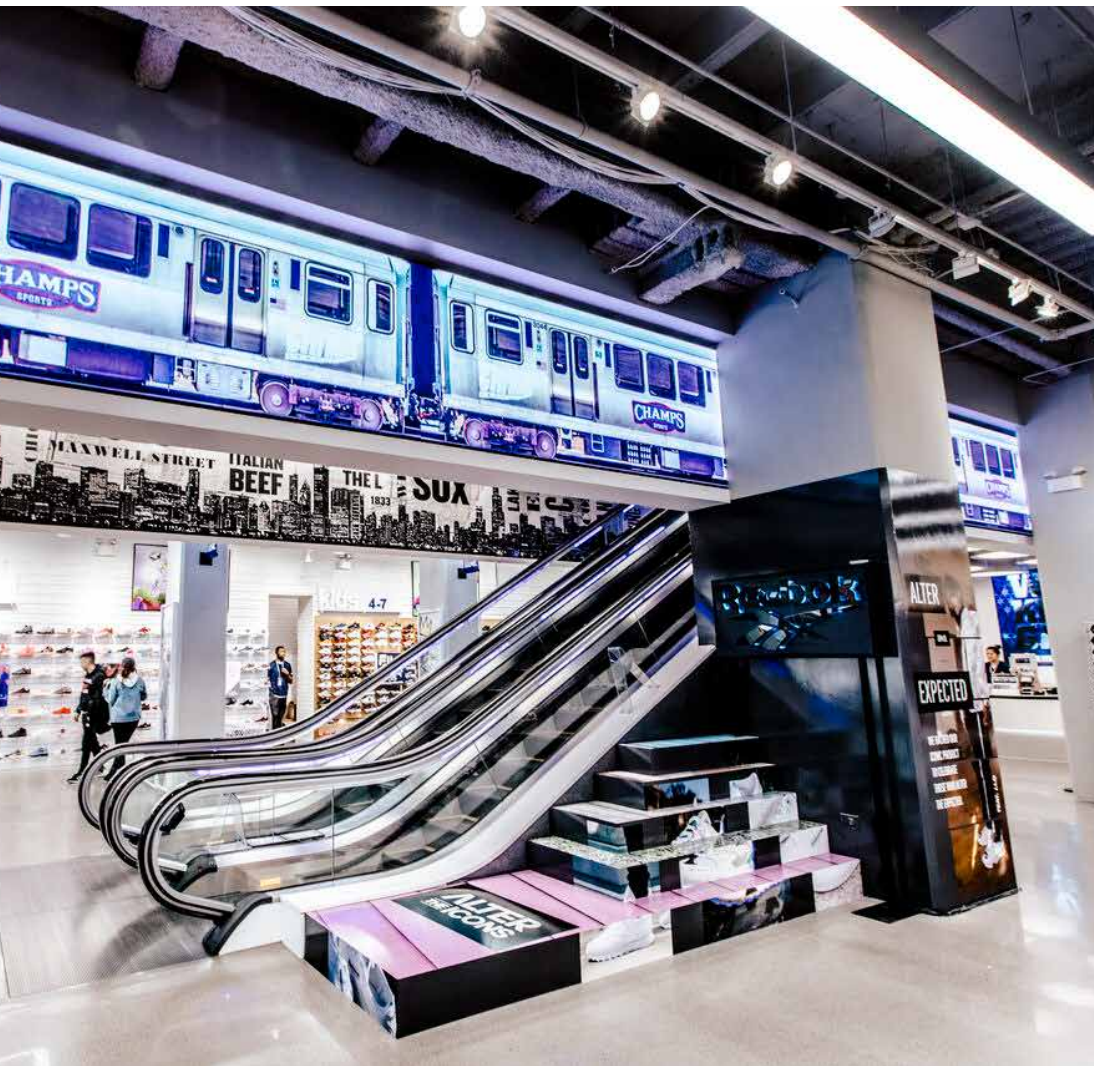
WU Pro Series II

Revolutionary Mechanical Design with Cutting-Edge MIP Display Technology. Resets the Flagship Standard.

WU PRO SERIES II 1.2mm, 1.5mm

2024 WU PRO SERIES II MODULAR INDOOR LED MADE FOR ATS-PRO BY TAYLORLEDS





Masters in the Art of LED

Welcome to ATS-Pro, the exclusive U.S. distributor for Taylorleds. With nearly two decades of experience in the AV industry, I founded ATS-Pro to bring unmatched expertise and innovation to our clients.

Taylorleds, our esteemed partner, is an innovative joint venture with Absen, excelling in design, R&D, and quality control. Absen, a leading Chinese manufacturer, handles production, ensuring top-notch quality. Together, we present the most advanced LED systems, meticulously crafted for superior performance.

At ATS-Pro, our dedicated account managers, top-tier technical support, and industry thought leaders work tirelessly to help you master the art of LED technology. I invite you to explore our brochures and experience innovation at its finest.

Warm regards,

Chris Pelzan

WU Pro Series II: Pushing Boundaries Even Further

The WU Pro Series has established itself as our flagship product, renowned for its presence in iconic locations such as the U.S. Chamber of Commerce, the Kennedy Center, Temple University, Lehigh University, Mercedes-Benz Stadium, and numerous Hard Rock Casinos and Resorts.

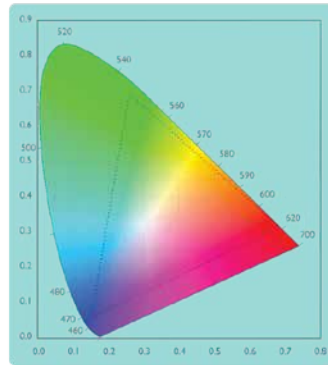
With the WU Pro Series II, we're pushing boundaries even further. Upgraded with the latest state-of-the-art MIP technology, this next-generation panel offers an even more immersive viewing experience with brighter, more vibrant visuals, higher contrast, and enhanced energy efficiency. The expanded color gamut, enhanced reliability, and simplified maintenance mean that your investment not only looks better but also lasts longer, delivering superior performance throughout the lifespan of your LED wall.



MIP Features

Better Colors with +98% DCI-P3 Color Accuracy

The WU Series II LED panel can reproduce over 98% of the DCI-P3 color gamut, which is a color standard used in the film industry for digital projection. This high percentage ensures that the display can deliver exceptionally vibrant and accurate colors, making it ideal for applications where color fidelity is crucial, such as high-end visual installations.



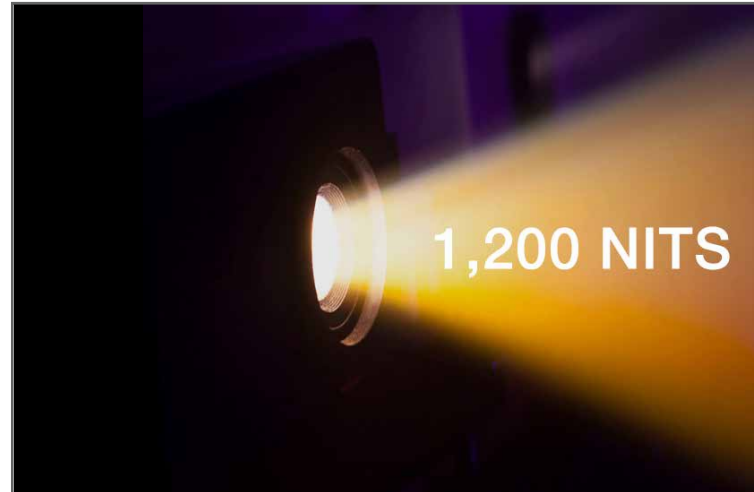
Deep Black 15,000:1 Contrast Ratio

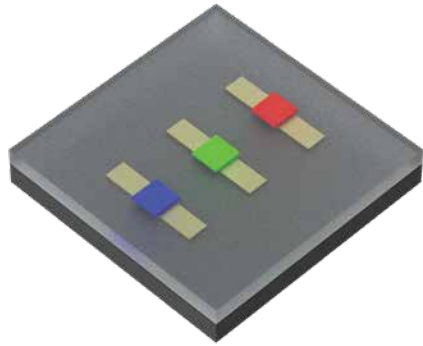
Provides rich, deep blacks and sharp contrast, enhancing image depth and overall visual impact.



Higher Brightness

Ensures stunning clarity and visibility, even in bright environments, making it ideal for any type of installation.





MIP Technology

Our latest micro / mini LED technology with flip-chip pixel configuration and nano coating offers better total cost of ownership and total life cycle cost.

Smooth Coating for Touch Screens

Offers a responsive and comfortable touch experience, reducing friction and ensuring precise interaction with the display.



90° Corners

90° panels available to create corner screens that wrap walls and columns.

30% Energy Savings



Elevated Panel Design with Pro Features

True 16:9 Ratio

16 x 9 panel allowing perfect aspect ratios that match any HD format without the need for scalers or external video processing.



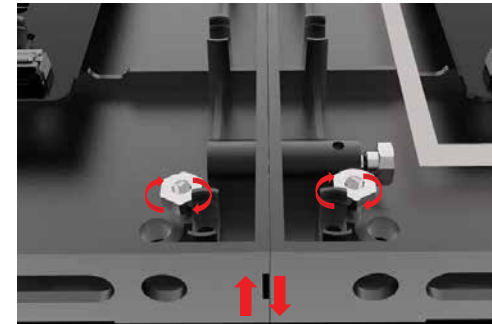
Cable-less

Retractable connectors mean there are no cables between panels or from module to panels.



Captive Screws

For ease of installation, panels have captive screws. (2) on the top and (2) on the side. No more searching for missing hardware.



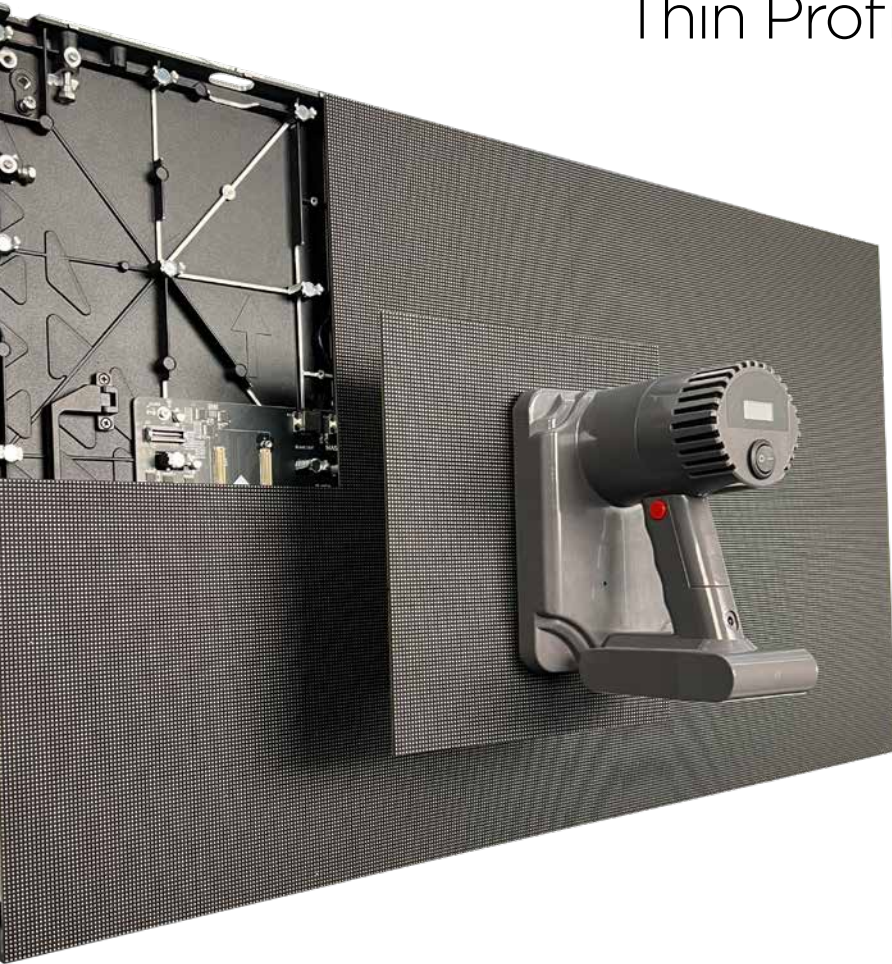
Z Axis Adjustment

Four screws per panel to adjust for uneven walls.





Thin Profile Just over 1.5" thick panel (39.3 mm / 1.55").



Front Serviceable

The WU Pro Series II LED display is engineered for maximum convenience and efficiency, featuring a front serviceable design. This allows for easy access to both the power units and LED modules, enabling swift removal and replacement directly from the front of the display. As a result, maintenance time and effort are significantly reduced, ensuring minimal disruption and enhanced operational reliability.

Wall Mounting Options

Wall Mount System

Specifically designed wall mount system for WU Pro Series II panels. Brackets are modular designed and easily connect together.





Hanging Options

Rigging System

Specifically designed for WU Pro Series II panels. Designed for ease and efficiency, the super lightweight hanging bars ensure a quick and reliable installation process, allowing for seamless integration into any LED panel configuration.



Floor Stacking Options

Stacking System

Designed by industry veterans, the universal stacking system for LED panels is both easy to use and highly reliable, ensuring quick setup and teardown.





Elevated Graphics Performance

WU Pro Series II turbo-charged with the A10sPro Card and MX COEX Series VMP Platform

By making the the WU Pro Series II come standard with the NovaStar A10s Pro Receiving Card, we upgraded the IC's to take full advantage of the most powerful graphics engine and processing available on the market today. With the exceptional, elegant design of the WU Pro Series II and the powerful new COEX MX Series Processors, the WU Pro Series II elevates the LED experience by providing state-of-the-art color, operational control and advanced camera correction features.



Shutter Fit

Supports synchronization of LED display refresh rate and camera shutter parameters. LED automatically adapts to camera exposure time and frequency, alleviating scan lines.



Frame Multiplexing

Allows users to re-frame multiple video feeds in the same time field. It is possible to output multiple effects simultaneously within a single shooting scene, improving work efficiency.



Color Replacement

Supports unrestricted color replacement, with minimal impact on other colors.



HFR

Supports high frame rates up to 120Hz, 144Hz, or even 240Hz. This allows smooth representation of video featuring high-speed moving objects.



Phase Offset

Adjusting the output phase offset value allows the LED display and camera to perfectly match. Prevents black field and image tearing from being captured when shooting the LED display.



14CH Color Correction

Precise adjustment of hue, saturation, and brightness of primary, secondary and tertiary colors, with basic adjustment of black and white, ensuring perfect colors.





Color Curve + 3D LUT

Curve adjustment and importing of 3D LUT files let you manage color in creative and artistic ways, just like a Hollywood colorist.



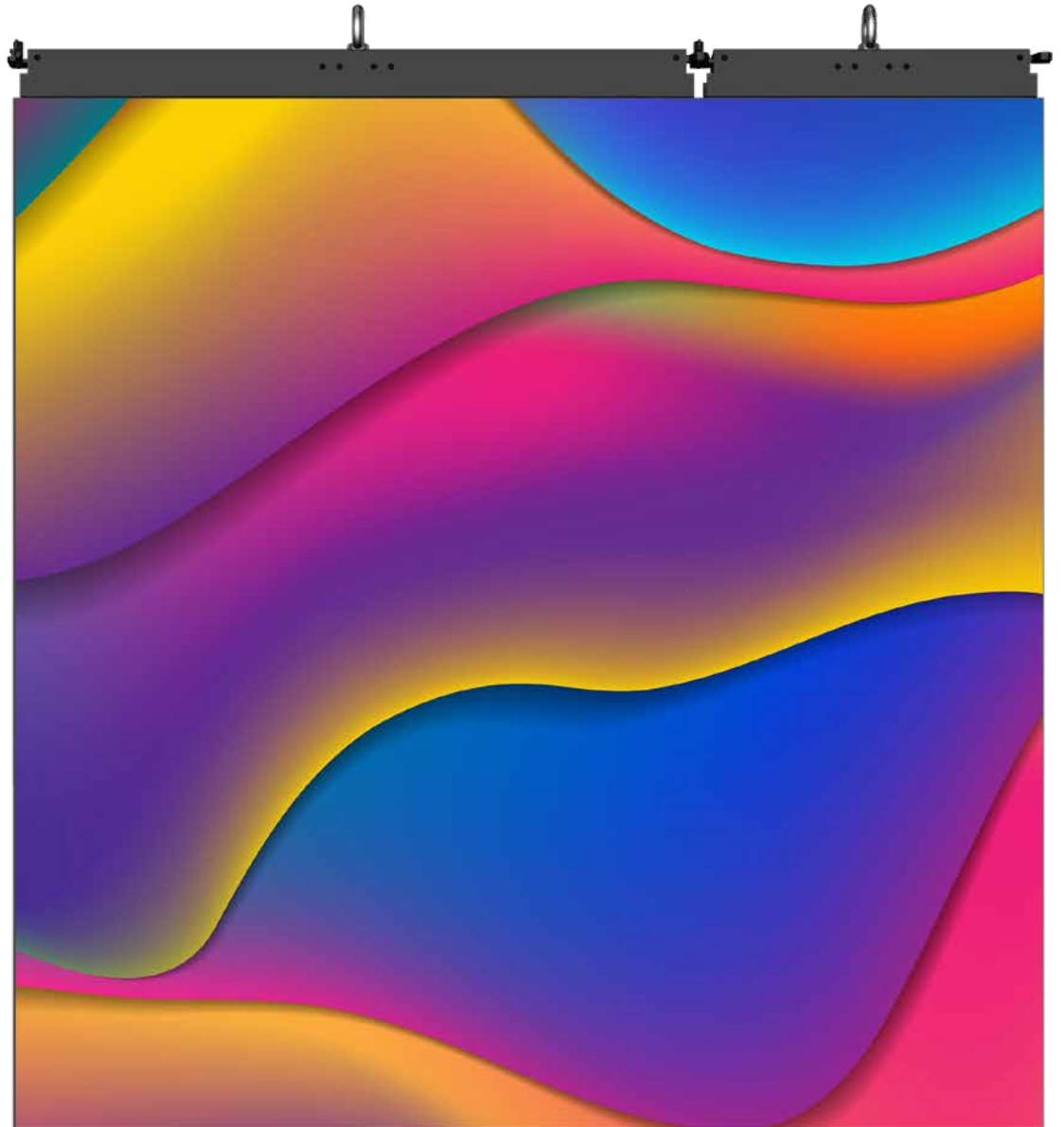
Contrast + Black Level

Allows independent adjustment of highlights and shadows by contrast and black level, avoiding overexposure but delivering rich dark content.



Dual Image Booster

Improves the performance of grayscale, color and contrast ratio, creating an immersive view to fulfill the requirements necessary for xR applications.





Exceptional Video Processing

NovaStar, a global leading LED display solution provider, designs and develops LED display control solutions for a variety of market applications. ATS-Pro is the largest NovaStar distributor in North America with technical support second to none. Their processors work with the brand-new VMP Software to provide a better operation and control experience.

MX40 Pro

The MX40 Pro is a flagship all-in-one LED display controller with 20 Ethernet ports in the new control system COEX series. This controller integrates video processing and video control into one box and offers rich video input connectors (HDMI 2.0, DP 1.2 and 12G-SDI), 20x Ethernet output ports and 4x 10G optical ports.

MX30 SF **Exclusive to ATS-Pro**

The SF adds the Shutter Fit features of the MX40 Pro. It is an all-in-one LED display controller in the new control system COEX series. This controller integrates video processing and video control into one box and offers rich video input connectors (HDMI 2.0, HDMI 1.4, DP 1.1 and 3G-SDI), 10x Ethernet output ports and 2x 10G optical ports.

MX20

The MX20 is an all-in-one LED display controller in the brand-new control system COEX series. This controller integrates video processing and video control into one box and offers 2x HDMI 1.3, 1x 3G-SDI input connectors, 6x Ethernet output ports, and 2x 10G optical ports.



Specifications

ATS-PRO WU Pro Series II Modular LED panel shown.

Specifications	WU Pro II 1.2	WU Pro II 1.5
LED Type	MIP1010	MIP1010
Pixel Pitch (mm)	1.27	1.58
Panel Dimensions (W*H*D)/(mm)	610 x 343 x 34	610 x 343 x 34
Panel Weight (kg)	5.5	5.5
Pixel Per Panel (w, h)	480 x 270	384 x 216
Panel Material	Die Casting Aluminum	Die Casting Aluminum
Module Dimensions (W*H)/(mm)	150 x 343	150 x 343
Brightness (nit)	1200	1200
Refresh Rate (Hz)	3840	3840
Gray Scale (bit)	14	14
Contrast Ratio	15,000:1	15,000:1
Color Temperature (K)	6500	6500
Driving Type	1/45	1/45
Viewing Angle (H/V) (°)	160/160	160/160
AC Operating Voltage (V)	100~240	100~240
Power Consumption (Max./Avg.) (W/m ²)	450/150	610/203
Storage Temperature (°C)	-40~ + 60	-40~ + 60
Operating Temperature (°C)	-10~ + 40	-10~ + 40
IP Rating (Front/Rear)	IP40/IP21	IP40/IP21
LED Lifetime (H)	100000	100000
Module Maintenance	Front	Front
PSU & Others Maintenance	Front	Front
Panel Installation Type	Wall / Hanging / Stacking	Wall / Hanging / Stacking
Certification	TUV-CE/RoHS/UL/FCC	TUV-CE/RoHS/UL/FCC

Specifications subject to change. Please contact ATS-Pro for updated specifications.





Masters in the Art of LED

©2024 ATS PRO. ATS PRO is a registered mark of Activate the Space, LLC. Specifications and design are subject to change without notice. Non-metric weights and measurements are approximate. Simulated screen images. All brand, product, service names and logos are trademarks and/or registered trademarks of their respective manufacturers and companies. See [ats-pro.com](https://www.ats-pro.com) for detailed information.

www.ats-pro.com | 800-755-3235

    @atsproled

