



# ELEMENT UHD

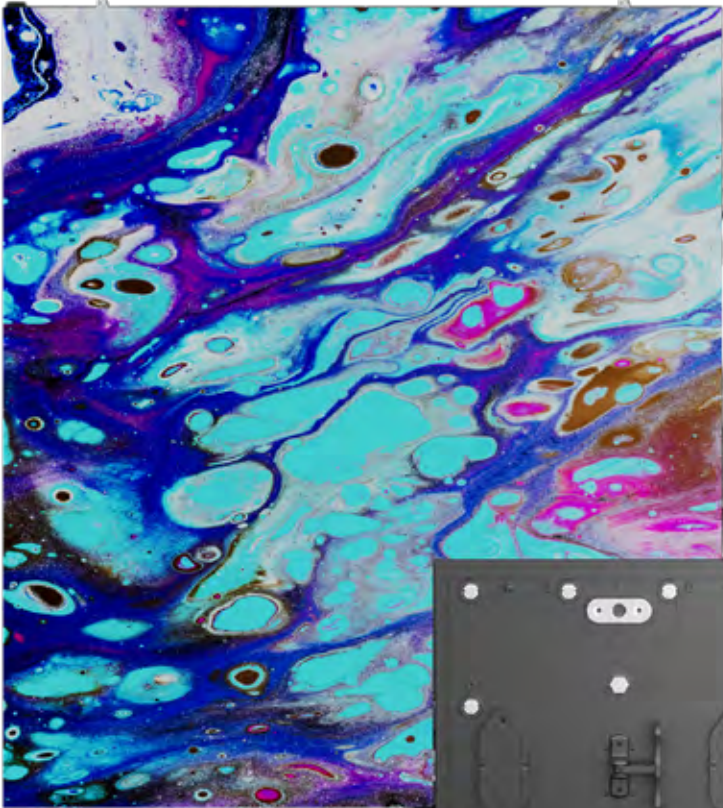
COOL UNDER PRESSURE. CLEAR IN ANY WEATHER.

Built for the Elements. Made for High Impact.

2026 ELEMENT UHD SERIES: FIXED OUTDOOR LED BY ATSPRO



# Element UHD Series I





## Element UHD Series II

The Element UHD Series II adopts a thinner and lighter design and supports full front maintenance and installation.

**Panel size:**

480x540x63mm

**Panel weight:**

9KG / 19.84 lbs

**Pixel pitch:**

1.25mm

1.5mm

1.875mm

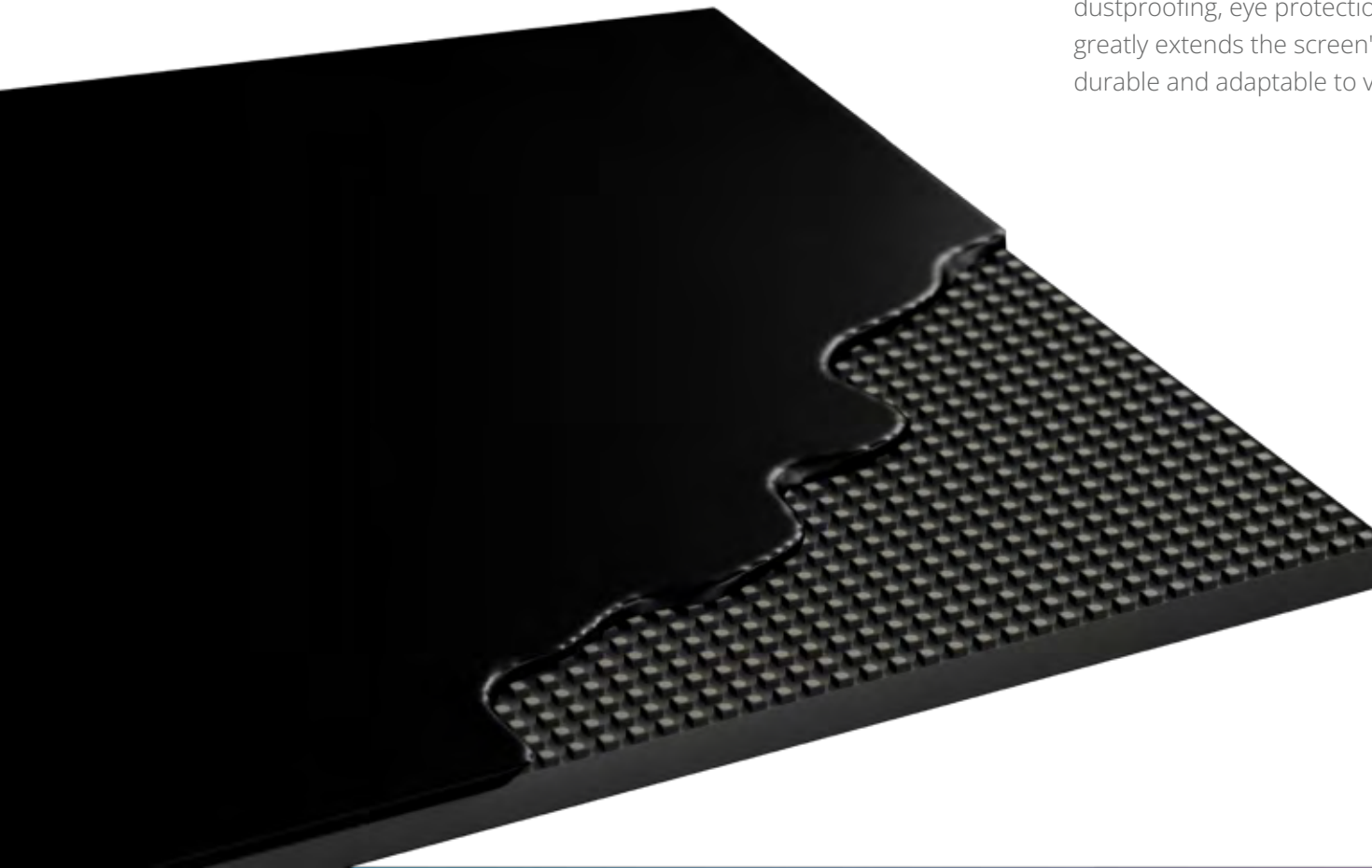
2.5mm



---

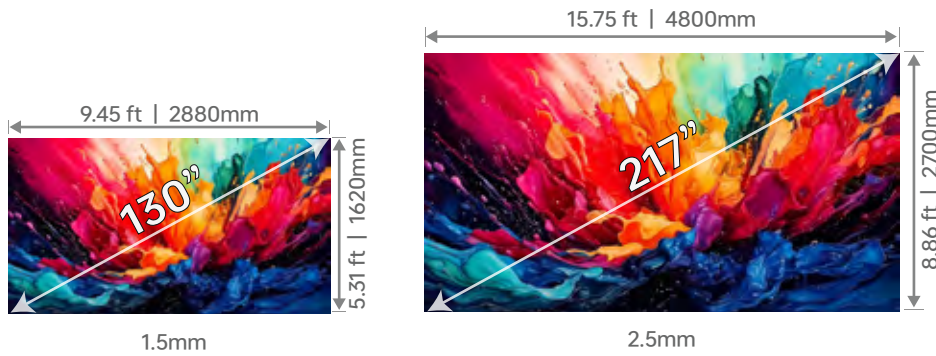
## X-GOB Technology

We use X-GOB to coat the module surface, which can effectively resist the impact of outdoor environments, while also improving the screen's resistance to shattering, waterproofing, shock resistance, UV resistance, dustproofing, eye protection, and antistatic properties. This not only greatly extends the screen's lifespan, but also makes the screen more durable and adaptable to various environmental conditions.

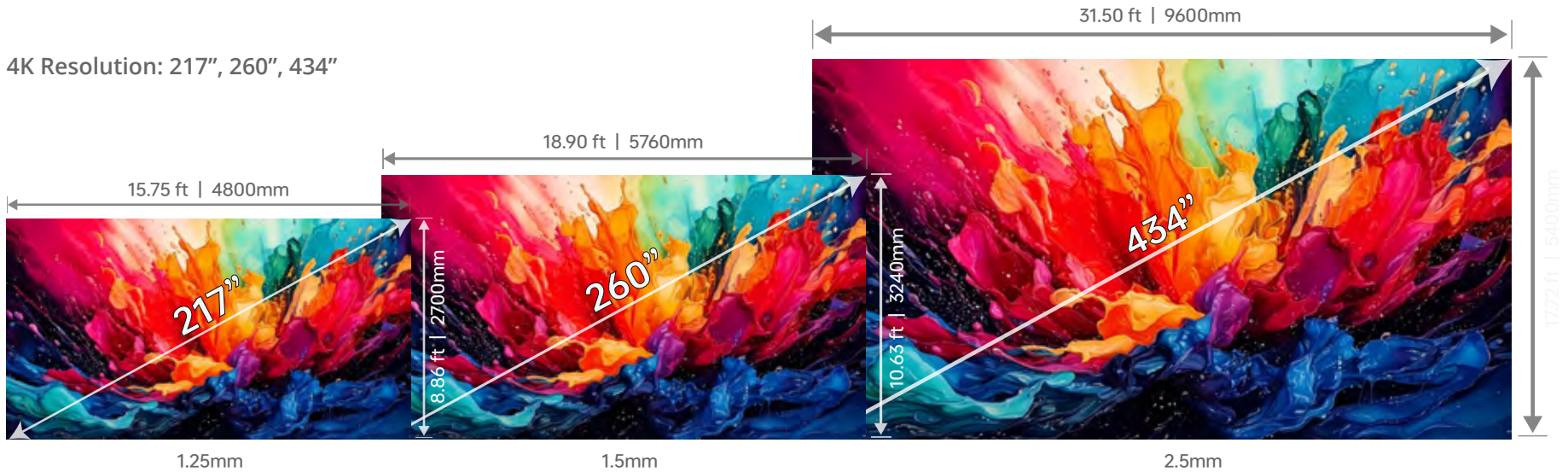


# 2K and 4K Resolution Options

2K Resolution: 130", 217"

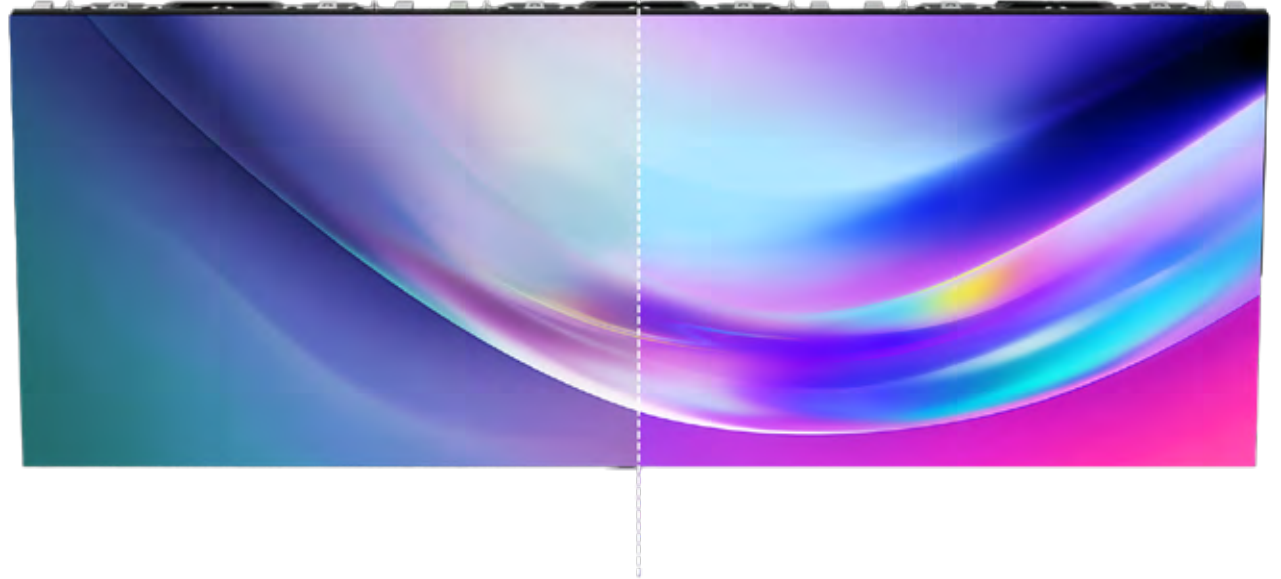


4K Resolution: 217", 260", 434"



## DCI-P3

Delivers a wide color gamut coverage, ensuring richer, more vibrant hues and greater color accuracy. Experience cinematic-quality visuals with deeper reds, lush greens, and true-to-life tones.



## High Contrast

With enhanced contrast, colors appear more defined and dynamic, ensuring a sharper and more realistic image. Deeper blacks and brighter highlights create a visually striking display that stays true to the original content.

---

## IP65 dustproof and waterproof

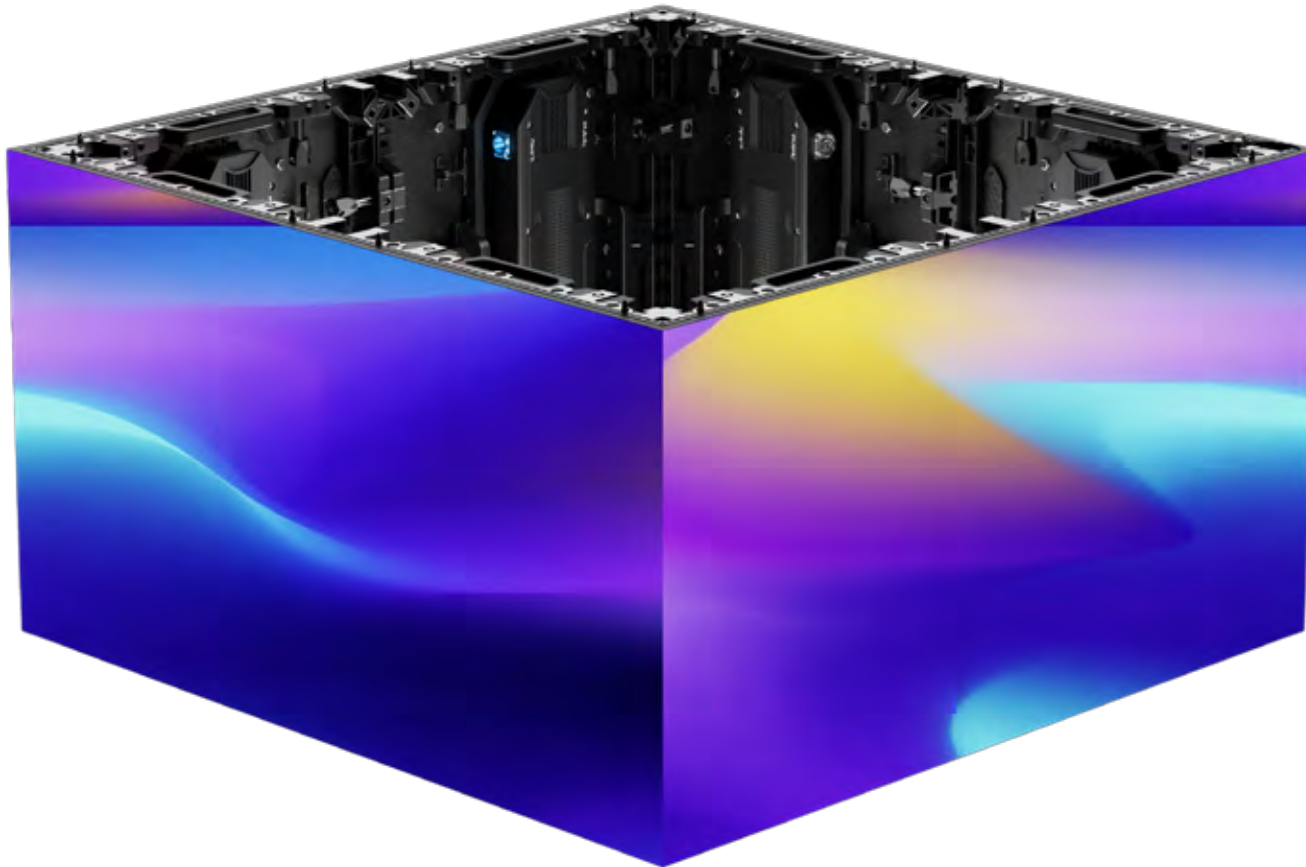
Our product features a fully sealed back panel design and utilizes waterproof power cables for external connections. Internal components have been treated for water and dust resistance, enabling them to effectively withstand interference from rainwater and sand. These features allow the Element series to easily adapt to a variety of complex environments.



---

# Corner & Cube Installation

45° module and 45° panel for 90° corner and cube installation.



# High Brightness

Even in bright outdoor environments, our high brightness screen ensures clear visibility, allowing you to enjoy an uninterrupted visual feast outdoors. It is especially suitable for outdoor commercial displays.

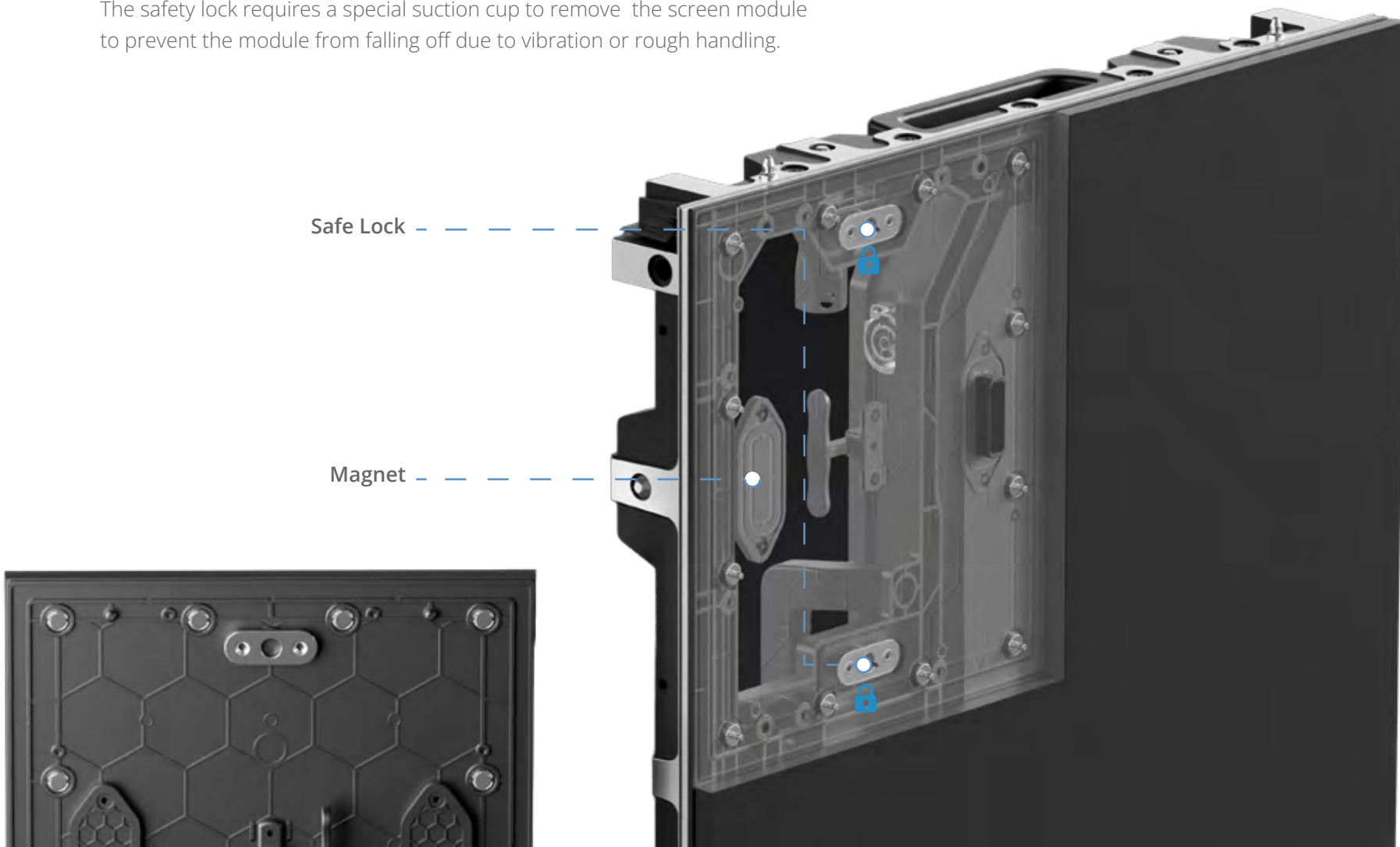
## FURNITURE STORE



**ATS  
PRO**

## S-latch for quick front-access

The safety lock requires a special suction cup to remove the screen module to prevent the module from falling off due to vibration or rough handling.



---

# Flip chip technology

Flip-chip technology enhances LED performance by improving heat dissipation and allowing for higher brightness with greater efficiency. This advanced design results in longer lifespan, better reliability, and superior visual quality.



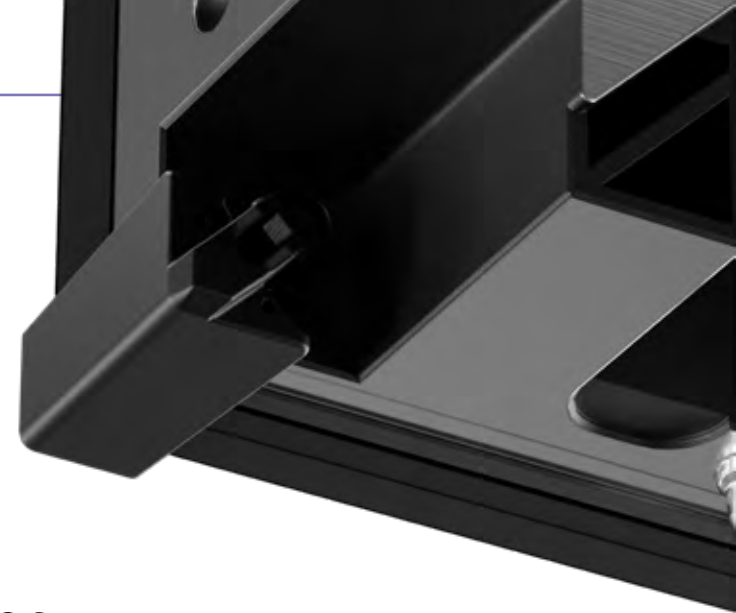
## Fine Pixel Pitch

The picture quality is more detailed and can be viewed at a close distance.

---

## Screen protector

Avoid direct contact between the screen and the floor  
Avoid direct contact between the screen and the floor.



## Front and rear maintenance modules

Patent S-latch for full quick front access and rear access.



---

## Stable and convenient

Element UHD Series II adopts a fully front-maintained floating connection, the internal design of the body is simple, and no extra cables are required.



Closer viewing distance, clearer,  
and supports all-weather protection



# Specifications

ATS-PRO Element UHD panel shown.

Specifications	UHD OUTDOOR 1.2	UHD OUTDOOR 1.5	UHD OUTDOOR 1.8	UHD OUTDOOR 2.5
Pixel pitch	1.25 mm	1.5 mm	1.875 mm	2.5 mm
Resolution	640,000 pixels / m <sup>2</sup>	444,444 pixels / m <sup>2</sup>	284,444 pixels / m <sup>2</sup>	160,000 pixels / m <sup>2</sup>
Module size(WxH)	240 x 270 mm	240 x 270 mm	240 x 270 mm	240 x 270 mm
Module resolution(WxH)	192 x 216	160 x 180	128 x 144	96 x 108
Panel size(WxH)	480 x 540mm	480 x 540mm	480 x 540mm	480 x 540mm
Panel resolution(WxH)	384 x 432	320 x 360	256 x 288	192 x 216
Panel weight	9.5 kg	9.5 kg	9.5 kg	9.5 kg
Brightness	4000 nits	4000 nits	4000 nits	4000 nits
Panel aluminum	Die-cast aluminum	Die-cast aluminum	Die-cast aluminum	Die-cast aluminum
Max.power consumption	720W / m <sup>2</sup>	720W / m <sup>2</sup>	720W / m <sup>2</sup>	720W / m <sup>2</sup>
Avg.power consumption	240W / m <sup>2</sup>	240W / m <sup>2</sup>	240W / m <sup>2</sup>	240W / m <sup>2</sup>
Refresh rate	1920 ~ 3840Hz	1920 ~ 3840Hz	1920 ~ 3840Hz	1920 ~ 3840Hz
Viewing angle	H/V: 170°	H/V: 170°	H/V: 170°	H/V: 170°
Gray scale	14 bit	14 bit	14 bit	14 bit
Color temperature	2,500-10,000	2,500-10,000	2,500-10,000	2,500-10,000
Working voltage	110V, 220V, 60Hz	110V, 220V, 60Hz	110V, 220V, 60Hz	110V, 220V, 60Hz
Working temperature	-20°C ~ 50°C	-20°C ~ 50°C	-20°C ~ 50°C	-20°C ~ 50°C
Working humidity	10 ~ 90%	10 ~ 90%	10 ~ 90%	10 ~ 90%
Lifespan	100,000 hours	100,000 hours	100,000 hours	100,000 hours

Specifications subject to change. Please contact ATS-Pro for updated specifications.



# Specifications

ATS-PRO Element UHD panel shown.

Specifications	UHD OUTDOOR 1.2	UHD OUTDOOR 1.5	UHD OUTDOOR 1.8	UHD OUTDOOR 2.5	UHD OUTDOOR 3.0
Pixel pitch	1.25 mm	1.5 mm	1.875 mm	2.5 mm	3.0 mm
Resolution	640,000 pixels / m <sup>2</sup>	444,444 pixels / m <sup>2</sup>	284,444 pixels / m <sup>2</sup>	160,000 pixels / m <sup>2</sup>	111,111 pixels / m <sup>2</sup>
Module size(WxH)	240 x 270 mm	240 x 270 mm	240 x 270 mm	240 x 270 mm	240 x 270 mm
Module resolution(WxH)	192 x 216	160 x 180	128 x 144	96 x 108	80 x 90
Panel size(WxH)	960 x 540mm	960 x 540mm	960 x 540mm	960 x 540mm	960 x 540mm
Panel resolution(WxH)	768 x 432	640 x 360	512 x 288	384 x 216	320 x 180
Panel weight	18 kg	18 kg	18 kg	18 kg	18 kg
Brightness	4000 nits	4000 nits	4000 nits	3500 nits	5000 nits
Panel aluminum	Die-cast aluminum	Die-cast aluminum	Die-cast aluminum	Die-cast aluminum	Die-cast aluminum
Max.power consumption	720W / m <sup>2</sup>	720W / m <sup>2</sup>	720W / m <sup>2</sup>	720W / m <sup>2</sup>	720W / m <sup>2</sup>
Avg.power consumption	240W / m <sup>2</sup>	240W / m <sup>2</sup>	240W / m <sup>2</sup>	240W / m <sup>2</sup>	240W / m <sup>2</sup>
Refresh rate	3840 ~7680Hz	3840 ~7680Hz	3840 ~7680Hz	3840 ~7680Hz	3840 ~7680Hz
Viewing angle	H/V: 165°	H/V: 165°	H/V: 165°	H/V: 165°	H/V: 165°
Gray scale	14 bit	14 bit	14 bit	14 bit	14 bit
Color temperature	2,500-10,000	2,500-10,000	2,500-10,000	2,500-10,000	2,500-10,000
Working voltage	110V, 240V, 60Hz	110V, 240V, 60Hz	110V, 240V, 60Hz	110V, 240V, 60Hz	110V, 240V, 60Hz
Working temperature	-20°C ~ 60°C	-20°C ~ 60°C	-20°C ~ 60°C	-20°C ~ 60°C	-20°C ~ 60°C
Working humidity	10 ~ 90%	10 ~ 90%	10 ~ 90%	10 ~ 90%	10 ~ 90%
Lifespan	100,000 hours	100,000 hours	100,000 hours	100,000 hours	100,000 hours

Specifications subject to change. Please contact ATS-Pro for updated specifications.





## Masters in the Art of LED

©2026 ATS PRO. ATS PRO is a registered mark of Activate the Space, LLC. Specifications and design are subject to change without notice. Non-metric weights and measurements are approximate. Simulated screen images. All brand, product, service names and logos are trademarks and/or registered trademarks of their respective manufacturers and companies. See [ats-pro.com](https://www.ats-pro.com) for detailed information.

[www.ats-pro.com](https://www.ats-pro.com) | 800-755-3235

    @atsproled